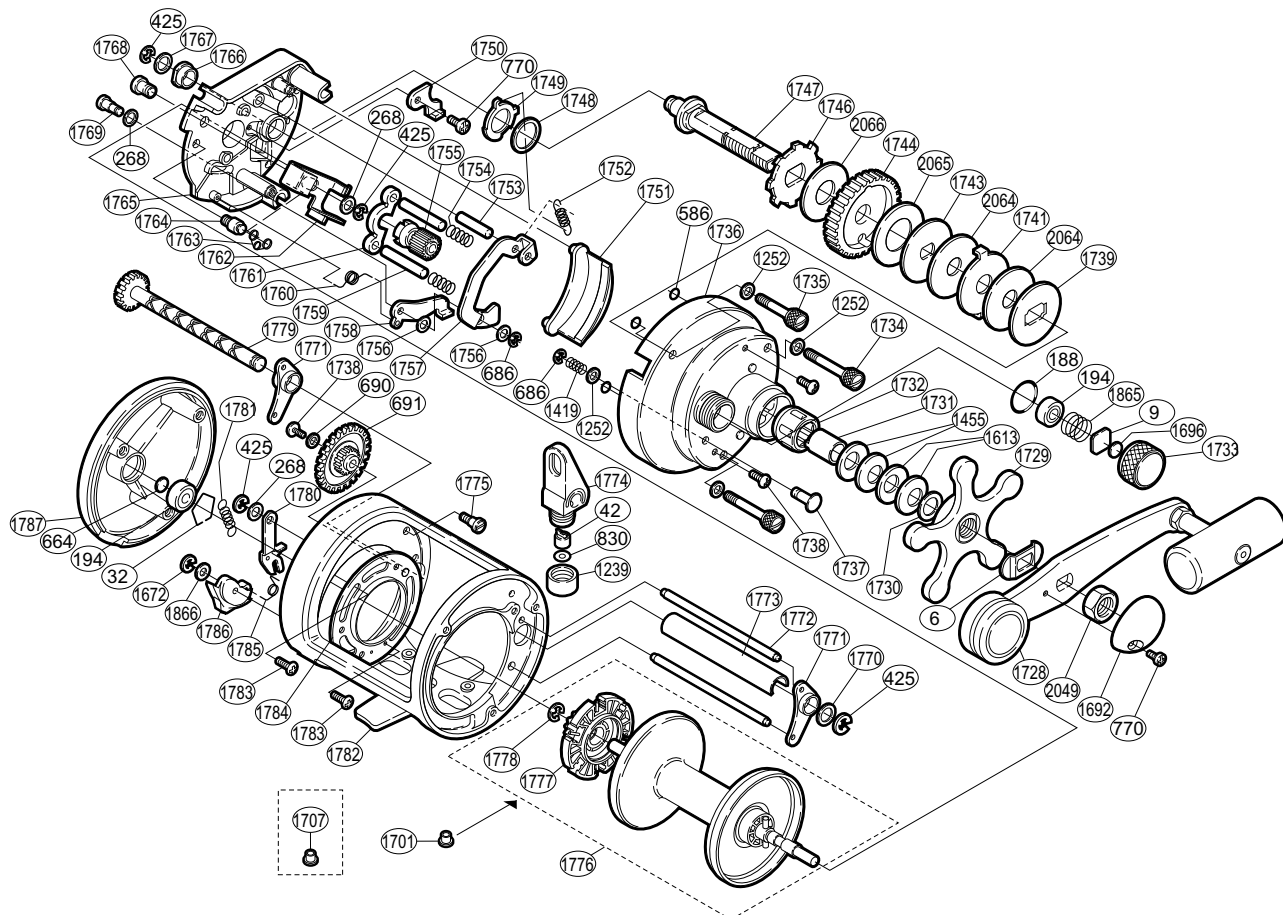


SHIMANO®

CALCUTTA®

CT-700



Part No.	Description	Part No.	Description	Part No.	Description
BNT0006	Friction Washer	BNT1734	Right Side Plate Bolt (A)	BNT1767	Drive Shaft Washer
BNT0009	Cast Control Spacer (A)	BNT1735	Right Side Plate Bolt (B)	BNT1768	Clutch Button Guide Pin
BNT0032	Bearing Retainer	BNT1736	Right Side Plate	BNT1769	Clutch Pawl Pin
BNT0042	Line Guide Pawl	BNT1737	Pressure Rivet	BNT1770	Worm Shaft Spacer
BNT0188	"O" Ring	BNT1738	Multi-Purpose Screw (B)	BNT1771	Worm Bushing
BNT0194	Ball Bearing	BNT1739	Key Washer	BNT1772	Stabilizer Bar
BNT0268	Washer	BNT1741	Eared Washer (C)	BNT1773	Level Wind Guard
BNT0425	"E" Lock	BNT1743	Key Washer (E)	BNT1774	Line Guide
BNT0586	Bolt Retainer	BNT1744	Drive Gear	BNT1775	Left Side Plate Bolt
BNT0664	Spacer (B)	BNT1746	Anti-Reverse Ratchet	BNT1776	Spool Assembly
BNT0686	"E" Lock	BNT1747	Drive Shaft	BNT1777	Click Gear Assembly
BNT0690	Lock Washer	BNT1748	Retraction Cam Washer	BNT1778	"E" Lock
BNT0691	Idle Gear "B"	BNT1749	Retraction Cam	BNT1779	Worm Shaft
BNT0770	Multi-Purpose Screw (A)	BNT1750	Cam Backing Plate	BNT1780	Click Pawl
BNT0830	Spacer (optional)	BNT1751	Plastic Gear Plate	BNT1781	Click Spring
BNT1239	Pawl Cap	BNT1752	Clutch Retraction Spring	BNT1782	One-Piece Frame
BNT1252	Right Side Plate Bolt Washer	BNT1753	Pivot Pin	BNT1783	Left Side Plate Screw
BNT1419	Spring	BNT1754	Yoke Spring	BNT1784	Set Plate (B)
BNT1455	Drag Spring Washer (H)	BNT1755	Pinion Gear	BNT1785	Click Switch Spring
BNT1613	Drag Spring Washer (L)	BNT1756	Clutch Spacer	BNT1786	Click Switch
BNT1672	"E" Lock	BNT1757	Clutch Plate	BNT1787	Left Side Plate
BNT1692	Handle Nut Plate	BNT1758	Clutch Pawl	BNT1865	Spool Tension Spring
BNT1696	Cast Control Spacer (B)	BNT1759	Yoke Pin	BNT1866	Spacer
BNT1701	Brake Collar (gray)	BNT1760	Clutch Pawl Spring	BNT2049	Handle Nut
BNT1728	Handle Assembly	BNT1761	Yoke	BNT2064	Drag Washer (B)
BNT1729	Star Drag	BNT1762	Clutch Button	BNT2065	Drag Washer (F)
BNT1730	Star Drag Washer	BNT1763	Retractor Spring	BNT2066	Drag Washer (G)
BNT1731	Roller Clutch Inner Tube	BNT1764	Retractor Spring Pin		
BNT1732	Roller Clutch Bearing	BNT1765	Set Plate (A)		
BNT1733	Cast Control Cap	BNT1766	Drive Shaft Bushing	BNT1707	Brake Collar (clear)