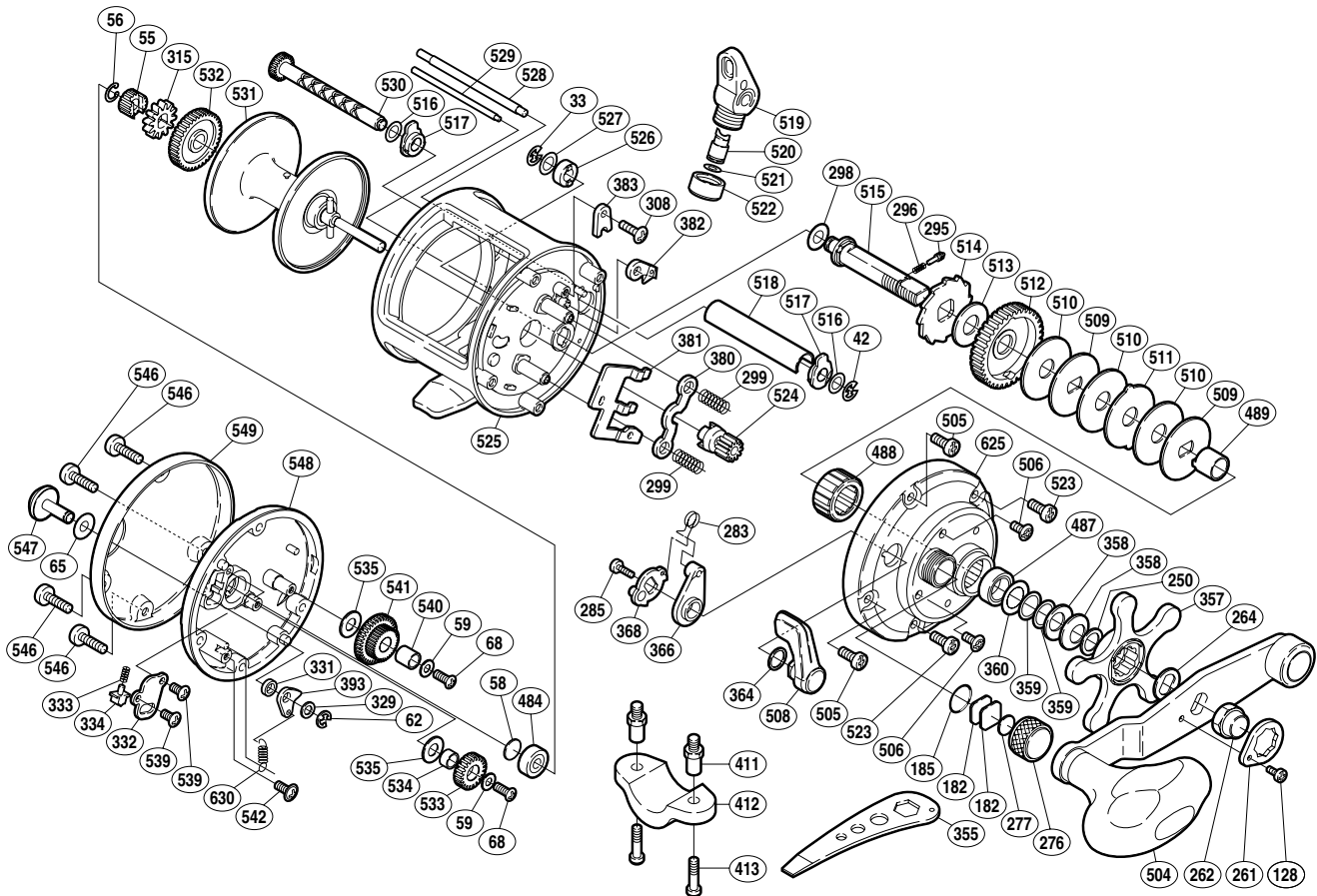


# SHIMANO®

## TEKOTA

## TEK-500



Part No.	Description	Part No.	Description	Part No.	Description
TGT0033	Drive Shaft Retainer	TGT0358	Drag Spring Washer (8L)	TGT0522	Pawl Cap
TGT0042	Worm Shaft Retainer	TGT0359	Bearing Thrust Washer	TGT0523	Right Side Plate Screw (C)
TGT0055	Idle Gear "A"	TGT0360	Bearing Seal	TGT0524	Pinion Gear
TGT0056	Idle Gear "A" Retainer	TGT0364	Smoother	TGT0525	One-Piece Frame
TGT0058	Spacer "B"	TGT0366	Eccentric Cam Bushing	TGT0526	Drive Shaft Bushing
TGT0059	Lock Washer	TGT0368	Clutch Cam	TGT0527	Drive Shaft Washer (A)
TGT0062	Click Pawl Retainer	TGT0380	Yoke	TGT0528	Stabilizer Bar "A"
TGT0065	Spacer (A)	TGT0381	Yoke Plate	TGT0529	Stabilizer Bar "B"
TGT0068	Idle Gear Screw	TGT0382	Anti-Reverse Pawl	TGT0530	Worm Shaft
TGT0128	Handle Nut Plate Screw	TGT0383	Anti-Reverse Pawl Keeper	TGT0531	Spool Assembly
TGT0182	Cast Control Spacer (A)	TGT0393	Click Pawl	TGT0532	Counter Gear "A"
TGT0185	"O" Ring	TGT0484	Ball Bearing	TGT0533	Idle Gear "B"
TGT0250	Star Drag Washer	TGT0487	Ball Bearing	TGT0534	Idle Gear "B" Support
TGT0261	Handle Nut Plate	TGT0488	Roller Clutch Bearing	TGT0535	Spacer "A"
TGT0262	Handle Nut	TGT0489	Roller Clutch Inner Tube	TGT0539	Click Spring Retainer Screw
TGT0264	Drive Shaft Shield	TGT0504	Handle Assembly	TGT0540	Idle Gear "D" Support
TGT0276	Cast Control Cap	TGT0505	Right Side Plate Screw (A)	TGT0541	Idle Gear "D"
TGT0277	Cast Control Spacer (B)	TGT0506	Right Side Plate Screw (B)	TGT0542	Click Pawl Spring Screw
TGT0283	Clutch Spring	TGT0508	Clutch Lever	TGT0546	Left Side Plate Screw
TGT0285	Clutch Lever Screw	TGT0509	Key Washer (B)	TGT0547	Click Button
TGT0295	Click Pin	TGT0510	Drag Washer (B)	TGT0548	Left Side Plate
TGT0296	Click Spring	TGT0511	Eared Washer (A)	TGT0549	Left Side Plate Cover
TGT0298	Drive Shaft Washer (B)	TGT0512	Drive Gear	TGT0625	Right Side Plate
TGT0299	Yoke Spring	TGT0513	Drag Washer (A)	TGT0630	Click Pawl Spring
TGT0308	Anti-Reverse Pawl Screw	TGT0514	Anti-Reverse Ratchet		
TGT0315	Click Gear	TGT0515	Drive Shaft		
TGT0329	Spacer (B)	TGT0516	Worm Shaft Spacer		
TGT0331	Click Pawl Spacer	TGT0517	Worm Bushing	TGT0411	Rod Clamp Nut (accessory)
TGT0332	Click Spring Retainer	TGT0518	Level Wind Guard	TGT0412	Rod Clamp (accessory)
TGT0333	Click Spring	TGT0519	Line Guide	TGT0413	Rod Clamp Bolt (accessory)
TGT0334	Click Spring Holder	TGT0520	Line Guide Pawl		
TGT0357	Star Drag	TGT0521	Spacer	TGT0355	Wrench (accessory)